

\\dc01\rvbc\Clients\ODL, Inc. PERMANENTVA - Florida Product Approvals\FL-15260 Exterior Door Components - Lite Frame Inserts\C - Drawings\FL 15260 (2020) R9\FL-15260.6-7.dwg



215 EAST ROOSEVELT AVE.
ZEELAND, MI 49464

ODL / WESTERN REFLECTIONS EXTERNAL WROUGHT IRON DOORGLASS ASSEMBLY FOR GLAZING UP TO A 3'0" x 8'0" DOOR PANEL "NON-IMPACT"

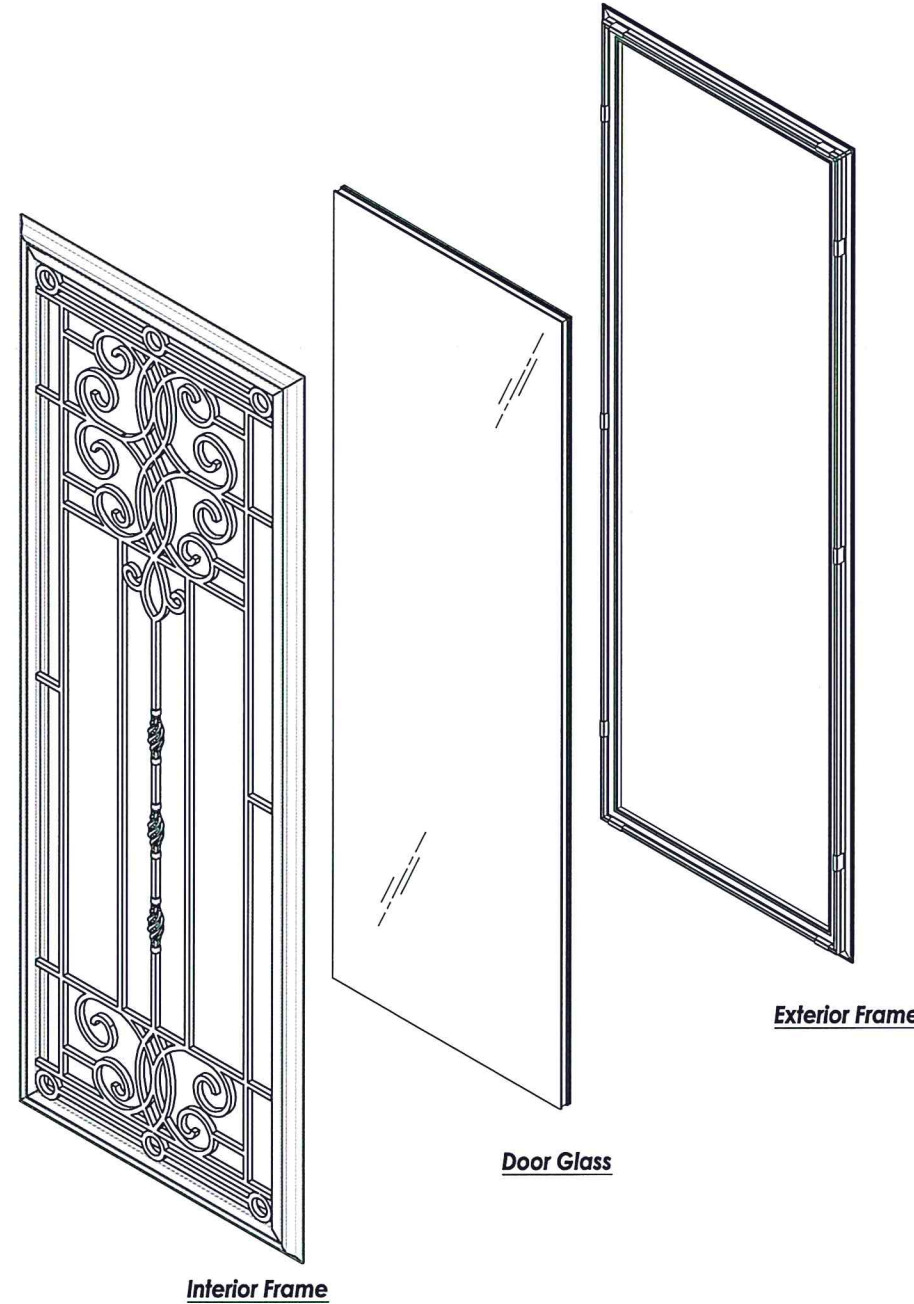
GENERAL NOTES

- This product has been evaluated and is in compliance with the 7th Edition (2020) Florida Building Code (FBC) structural requirements excluding the High Velocity Hurricane Zone (HVHZ).
- When used in areas requiring wind borne debris protection this product is required to be protected with an impact resistant covering that complies with FBC Sections 1609.1.2 & R301.2.1.2.
- This product is approved for use as a substitute doorglass assembly in conjunction with a glazed fiberglass side hinged swing door and/or fixed sidelite possessing a comparable current Florida Statewide product approval.
- The design pressure (DP) rating shall be the lesser of the DP rating shown on sheet 1 of this approval or the DP rating shown in the glazed fiberglass side hinged swing door or fixed sidelite approval being used.
- The door panel and lite opening size shall not exceed the sizes shown in this approval or the glazed fiberglass side hinged swing door or fixed sidelite approval being used.
- The accompanying door approval shall be a glazed door product meeting the following minimum requirements:

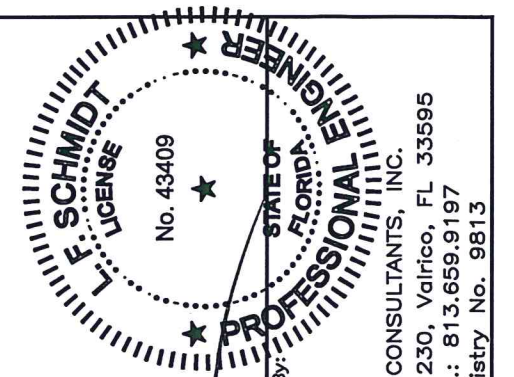
SINGLE GLAZED FIBERGLASS DOOR:

- 1-3/4" minimum panel thickness.
- Fiberglass face sheet: 0.087" min. thickness (Fy min. = 4,025 psi)
- Stiles: Pine 1.53" x 1.18"
- Rails: Composite 1.53" x 0.94"
- Foam Core (FBC Approved): Polyurethane (min. 2.0 lbs./cu.ft) or Polystyrene (min. 1.0 lbs./cu.ft)

TABLE OF CONTENTS	
SHEET#	DESCRIPTION
1	Typical elevations, design pressures and general notes
2	Horizontal and vertical cross sections
3	Anchoring locations & bill of materials



DESIGN PRESSURE RATING (PSF)		
GLAZING TYPE TEMPERED	POSITIVE	NEGATIVE
1" INSUL.	+80.0	-80.0



LFS

August 07, 2020

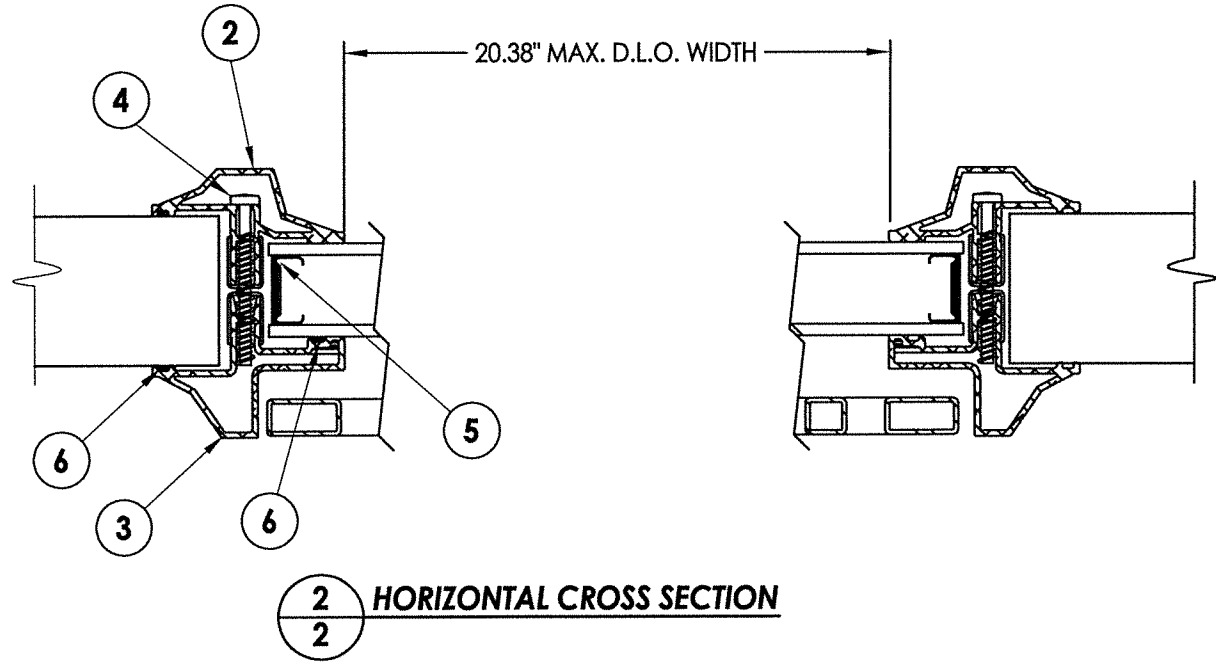
Documents Prepared By:
Lyndon F. Schmidt
P.E. No. 43409

RW

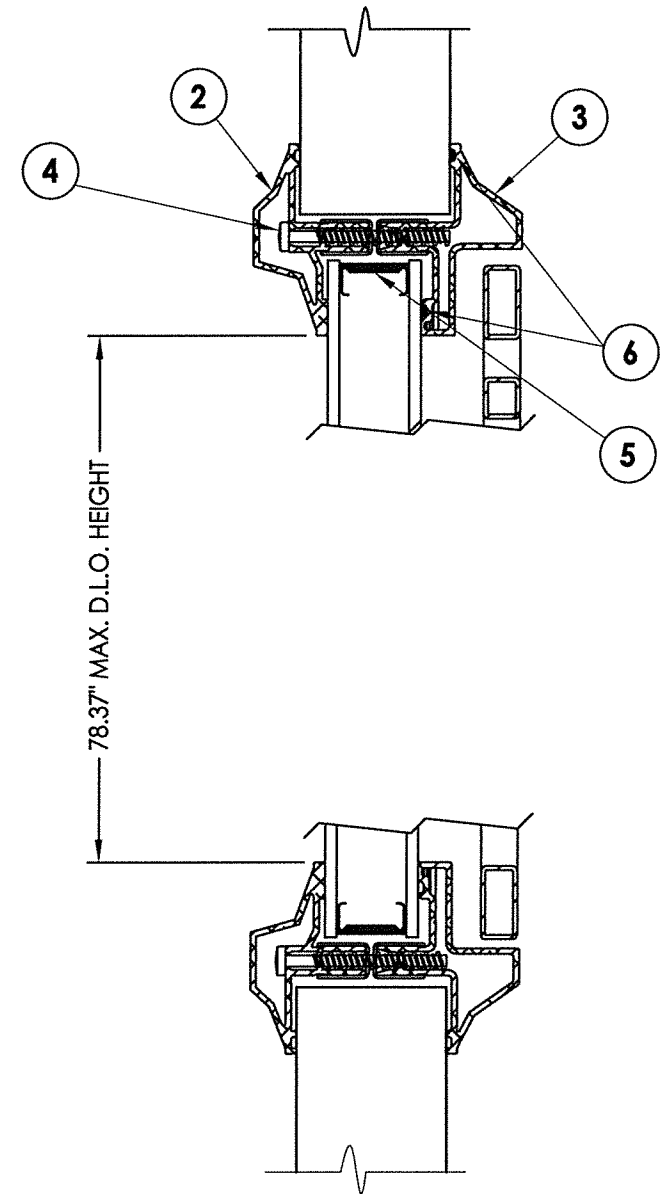
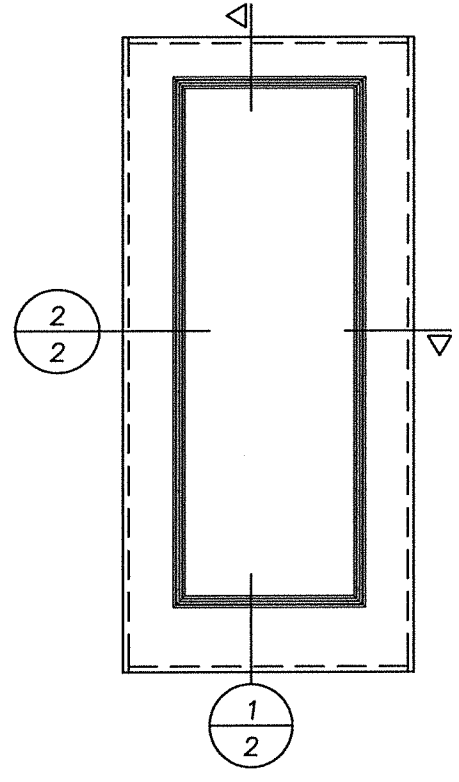
R.W. BUILDING CONSULTANTS, INC.
P.O. Box 230, Vairico, FL 33595
Phone No.: 813.659.9197
FBPE Registry No. 9813

PRODUCT: ODL LITE FRAME	PART OR ASSEMBLY: TYPICAL ELEVATIONS, DESIGN PRESSURES & GENERAL NOTES
	REVISIONS
	DATE: 2/29/12
	SCALE: N.T.S.
	DWG. BY: JK
	CHK. BY: LFS
	DRAWING NO.: FL-15260.7
	SHEET 1 OF 3

© 2012 R.W. BUILDING CONSULTANTS INC.



2
2 HORIZONTAL CROSS SECTION



1
2 VERTICAL CROSS SECTION

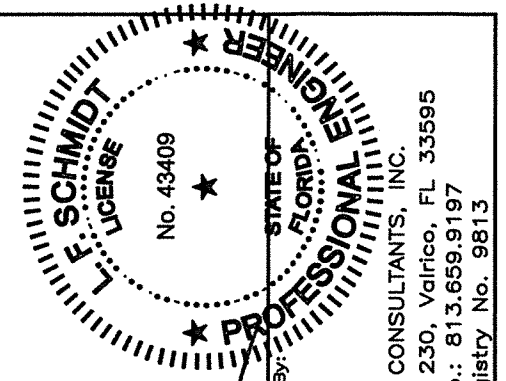
DATE:	2/29/12
SCALE:	N.T.S.
DWG. BY:	JK
CHK. BY:	LFS
DRAWING NO.:	FL-15260.7
SHEET	2 OF 3

NO.	DATE	REVISIONS
3	8/05/20	UPDATE TO 7TH ED. (2020) FBC DAC
2	9/26/17	UPDATE TO 6TH ED. (2017) FBC JK
1	3/28/15	UPDATE TO 5TH ED. (2014) FBC JK
		BY

PRODUCT: OD LITE FRAME

PART OR ASSEMBLY: HORIZONTAL AND VERTICAL CROSS SECTIONS

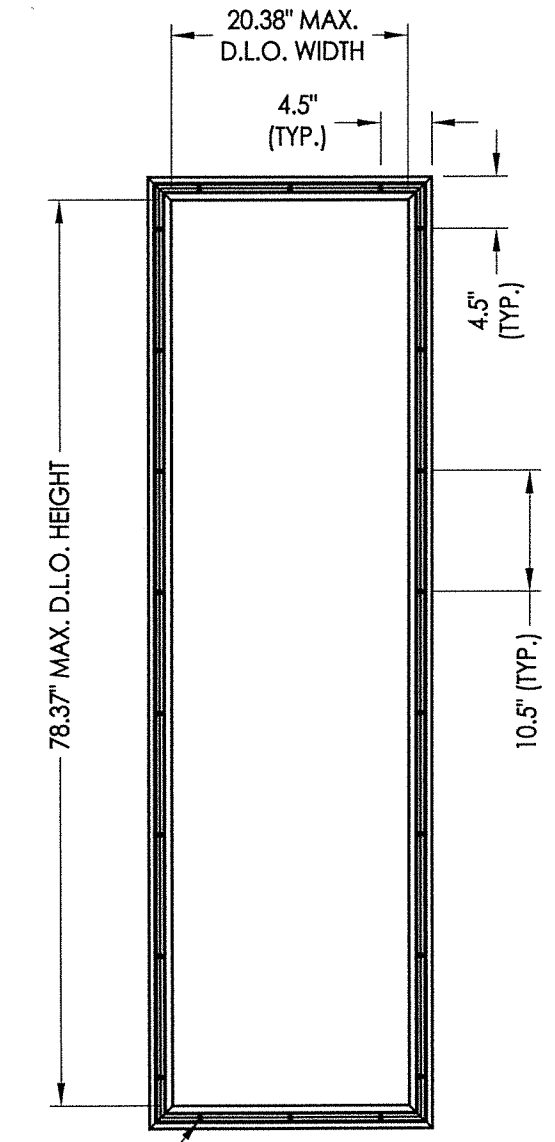
August 07, 2020
 Documents Prepared By:
 Lyndon F. Schmidt
 P.E. No. 43409



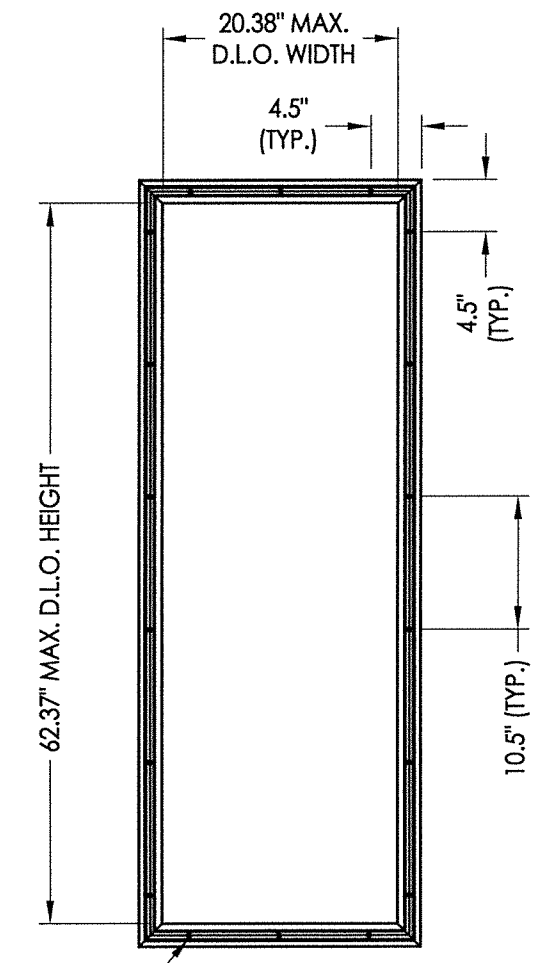
RW
 BUILDING CONSULTANTS, INC.
 P.O. Box 230, Valrico, FL 33595
 Phone No.: 813.659.9197
 FBPE Registry No. 9813

\\dc01\vwbc\Clients\ODL, Inc. PERMANENT\A - Florida Product Approvals\FL-15260 Exterior Door Components - Lite Frame Inserts\C - Drawings\FL 15260 (2020) R9\FL-15260.6-7.dwg

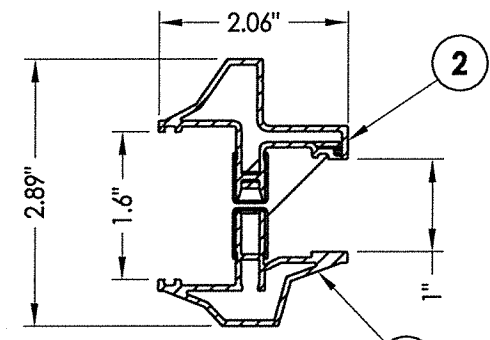
BILL OF MATERIALS		
ITEM #	DESCRIPTION	MATERIAL
1A	ODL LITE FRAME	ALUMINUM
1B	ODL LITE FRAME	ALUMINUM
2	INT. FRAME	ALUMINUM
3	EXT. FRAME	ALUMINUM
4	#8 X 1-1/2" PPH SMS	STEEL
5	INTERCEPT GLASS SPACER	STEEL
6	NON-STRUCTURAL BACKBEDDING SEALANT (HOMERUN)	HOT-MELT



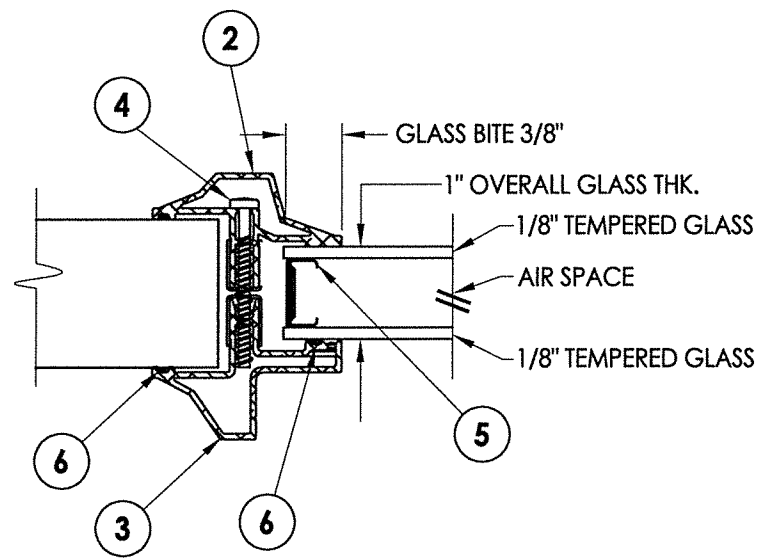
1A ODL LITE FRAME
Install in 8'-0" door panel



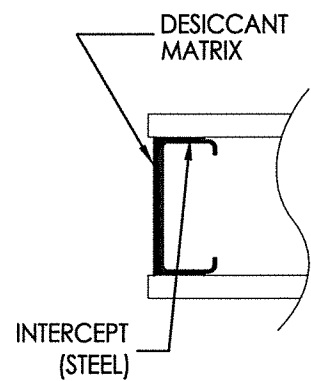
1B ODL LITE FRAME
Install in door panels up to 6'-8" max.



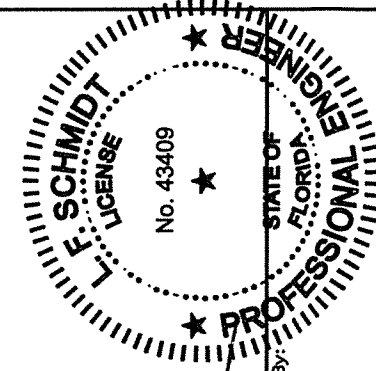
ODL LITE FRAME
ALUMINUM



G1 GLAZING DETAIL



SPACER DETAIL



August 07, 2020
 Documents Prepared By:
 Lyndon F. Schmidt
 P.E. No. 43409

R.W. BUILDING CONSULTANTS, INC.
 P.O. Box 230, Vairico, FL 33595
 Phone No.: 813.659.9197
 FBPE Registry No. 9813

PRODUCT: ODL LITE FRAME	
PART OR ASSEMBLY: ANCHORING LOCATIONS & BILL OF MATERIALS	
NO.	DATE
3	8/05/20
2	9/26/17
1	3/28/15
REVISIONS	
DATE:	2/29/12
SCALE:	N.T.S.
DWG. BY:	JK
CHK. BY:	LFS
DRAWING NO.:	FL-15260.7
SHEET	3 OF 3